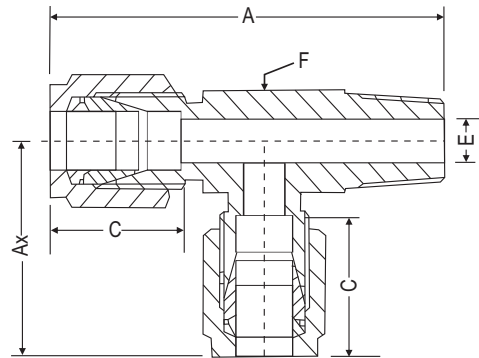



Dimensional Details :

Notes : Drawings are not to scale

Dimensional Details
Dimension, in.

Tube OD	NPT Male Thread Size	Part Number	A	Ax	C	E	F
1/8	1/8	S2TMR2N	1.63	0.93	0.50	0.09	7/16
1/8	1/4	S2TMR4N	1.89	0.97	0.50	0.09	1/2
1/4	1/8	S4TMR2N	1.80	1.06	0.60	0.19	1/2
1/4	1/4	S4TMR4N	1.98	1.06	0.60	0.19	1/2
3/8	1/4	S6TMR4N	2.20	1.20	0.66	0.28	5/8
3/8	3/8	S6TMR6N	2.42	1.31	0.66	0.28	13/16
1/2	3/8	S8TMR6N	2.53	1.42	0.90	0.38	13/16
1/2	1/2	S8TMR8N	2.72	1.42	0.90	0.41	13/16
3/4	3/4	S12TMR12N	3.02	1.57	0.90	0.62	1 1/16

Dimension, mm.

Tube OD	NPT Male Thread Size	Part Number	A	Ax	C	E	F
6	1/8	SM6TMR2N	45.8	27.0	15.3	4.8	1/2
6	1/4	SM6TMR4N	50.3	27.0	15.3	4.8	1/2
8	1/4	SM8TMR4N	55.3	29.9	16.2	6.4	5/8
12	1/4	SM12TMR4N	64.2	36.0	22.8	7.1	13/16
12	1/2	SM12TMR8N	69.0	36.0	22.8	9.5	13/16
16	1/2	SM16TMR8N	73.1	38.0	24.4	11.9	15/16

Dimensions and specifications shown are approximate, may vary from time to time.

Note : 1. A and C dimensions are typical finger-tight
 2. Other Threading available on request

 Note : Specifications and dimensions given in this product catalogue represents the state of engineering at the time of printing .
 Modifications may take place and materials specified may be replaced by others without prior notice.